



Solar Dock Lites™

The Solar Dock Lite™ is a great way to light up your dock or pier. During the day the solar panel collects the sun's energy and charges the batteries. At nightfall, Solar Dock Lite's sensor automatically turns on the energy efficient, super bright LED. Runs 20+ hours on full charge!

Your dock was an expensive investment and we encourage you to protect it from unwanted boating collisions. Lining your dock with Dock Lites isn't just for looks. It adds safety as well. Ask your insurance company about discounts on your umbrella insurance for protecting your dock with Dock Lites™!

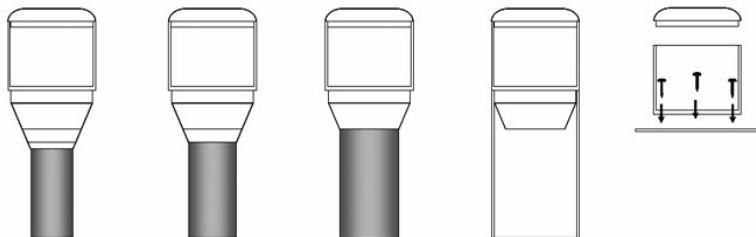
What's your COLOR ?

Solar Dock Lites are the only solar powered light in the world that has the ability to easily interchange different color LED's! We decided to include all six LED colors for each light. Choose from White, Blue, Green, Red, Orange, or Yellow!



Will it fit my dock?

The Solar Dock Lite™ has a patent pending "universal" fitting design which adapts to most common dock posts. The unique design allows your Solar Dock Lite to mount to different post sizes as well as to flat surfaces! Use the included fittings to adapt the Solar Dock Lite to your size post. Use the set screw or other mounting options and your ready to go! Fits post sizes: 1-5/8" OD, 1-7/8" OD, 2-3/8" OD, 3-1/4" ID, Brock Docks, 4x4 wood post, and flat surfaces.



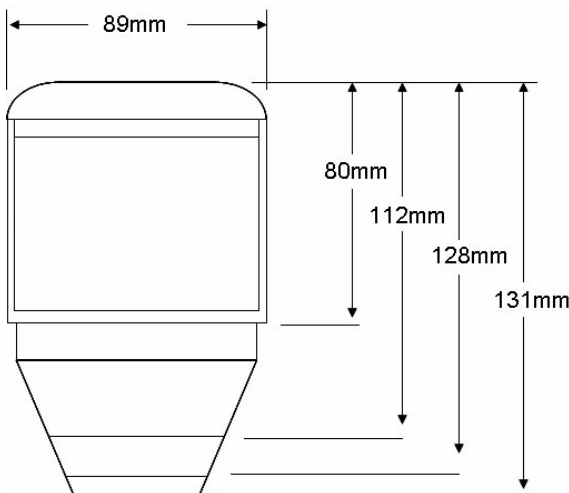
KEY BENEFITS

- Safety!
- Visibility!
- Fully Automated!
- Maintenance Free!
- Easy to Install!
- 6 Super Bright LED's

APPLICATIONS

- Dock Lighting
- Small Buoys
- Channel Markers
- Auger Posts
- Swimming Rafts
- Obstructions

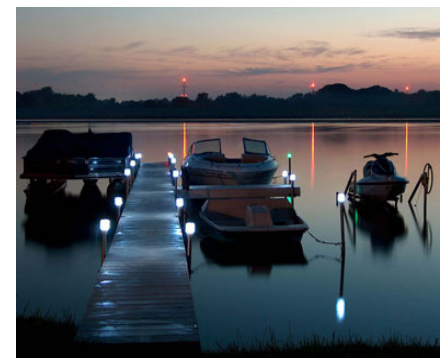
ORDER NOW!



PRICING

1 \$41.99 each pair

VT Residents add 6% Sales Tax



High Country Aluminum Products, LLC
 1567 Route 14 • Hartford, VT 05047
 802-281-8245 • Fax 802-281-8246
www.highcountryaluminum.com